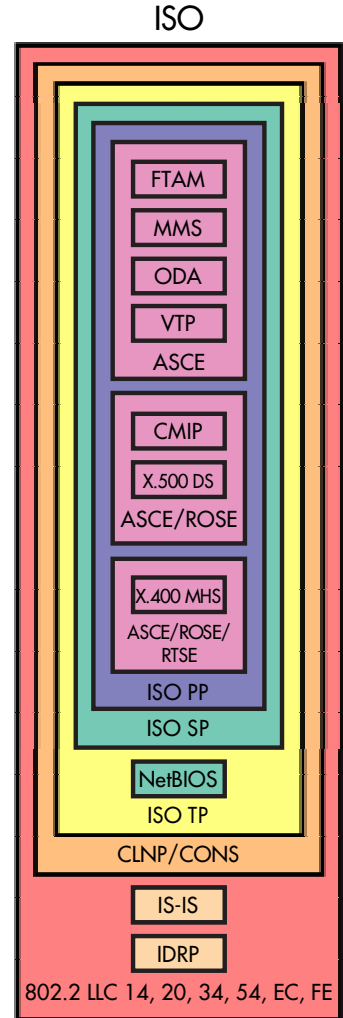
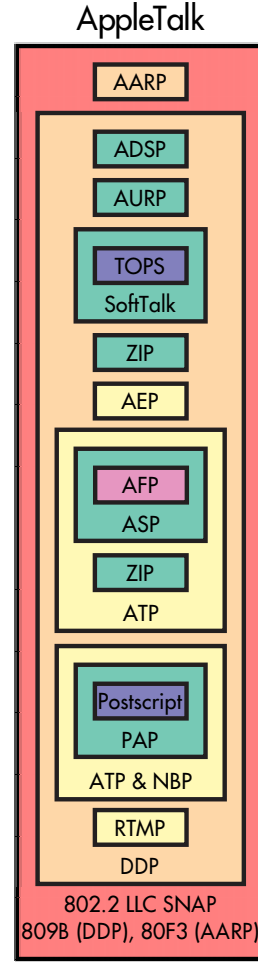
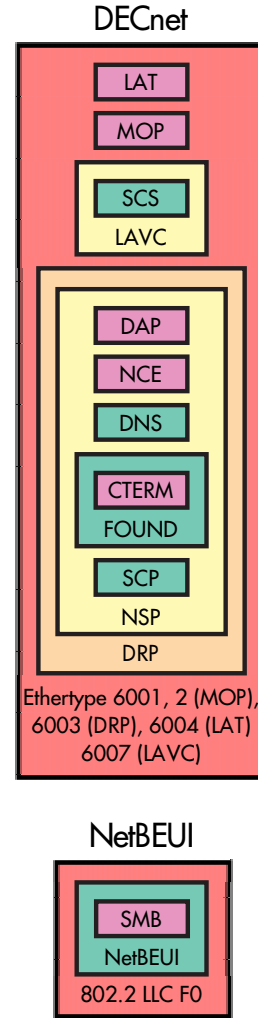
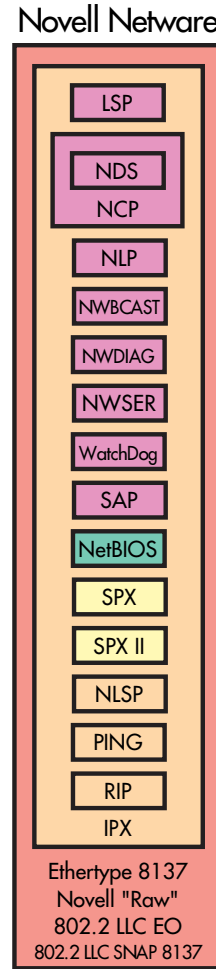
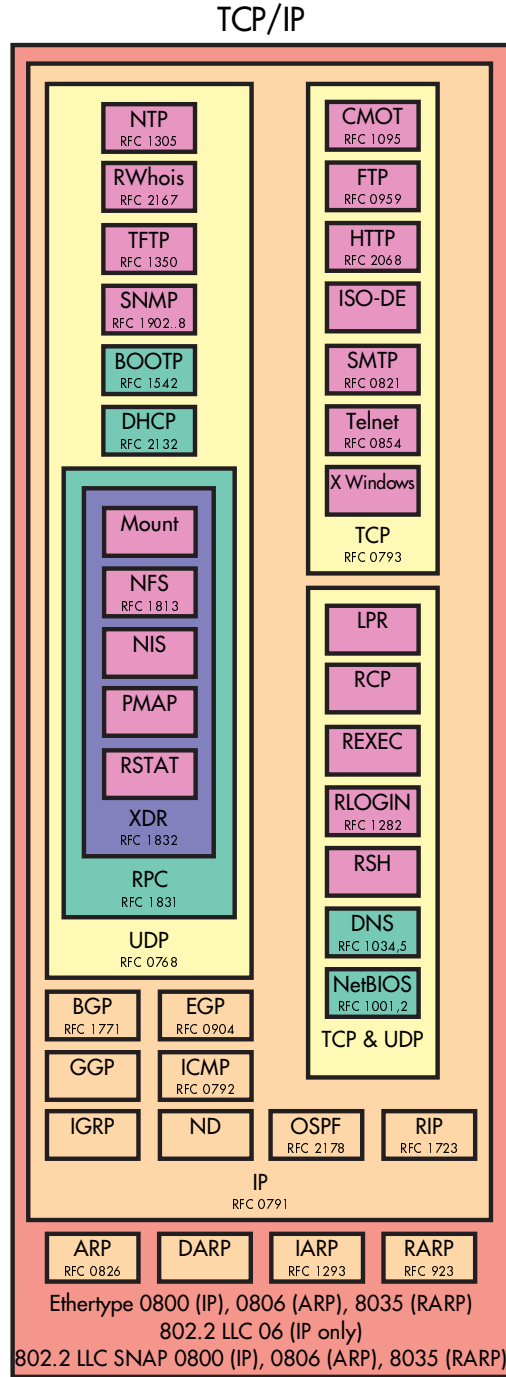


Protocol Family Encapsulations

- Layer 7—Application**
Provides standard services to applications and end-user interfaces.
- Layer 6—Presentation**
Performs data format conversion. Provides compression, encoding, and encryption of data.
- Layer 5—Session**
Establishes sessions between services. Synchronizes and performs translations for naming services.
- Layer 4—Transport**
Manages connections and provides reliable packet delivery. Operates in units of messages.
- Layer 3—Network**
Addresses and routes datagrams. Performs fragmentation and reassembly (IP). Operates in units of packets.
- Layer 2—Logical Link**
Provides hardware addressing and error detection/correction. Operates in units of frames.
- Layer 1—Physical**
Defines connection, electrical, and wiring specifications. Operates in units of bits.



- | | | | | | | | |
|-------|--|---------|--|---------|--|-----------|---------------------------------------|
| AARP | AppleTalk Address Resolution Protocol | HTTP | HyperText Transfer Protocol | NFS | Network File System | RSTAT | Remote Statistics |
| ADSP | AppleTalk Data Stream Protocol | LDAP | Inverse Address Resolution Protocol | NIS | Network Information Services | RIMP | Routing Table Maintenance Protocol |
| AEP | AppleTalk Echo Protocol | KMP | Internet Control Message Protocol | NIP | NetWare Link State Protocol | RIS-E | Reliable Transfer Service Element |
| ARP | Address Resolution Protocol | IDRP | Interdomain Routing Protocol | NSP | NetWare Name State Protocol | RWhois | Remote Whois |
| ASCE | Association Control Service Element | IGRP | Interior Gateway Routing Protocol | NTP | Network Time Protocol | SAP | Service Advertisement Protocol |
| ASP | AppleTalk Session Protocol | IP | Internet Protocol | NWBCAST | NetWare Broadcast Message Notification | SMB | Server Message Block |
| ATP | AppleTalk Transaction Protocol | IPX | Internet Packet Exchange | NWDIAG | NetWare Diagnostic Support Protocol | SMTP | Simple Mail Transfer Protocol |
| AURP | AppleTalk Update Routing Protocol | B-IS | Intermediate System to Intermediate System Routing | NWSER | NetWare Serialization Protocol | SNMP | Simple Network Management Protocol |
| BOOTP | Bootstrap Protocol | BO-PP | Presentation Protocol | ODA | Office Document Architecture | SPX | Sequenced Packet Exchange |
| CLNP | Connectionless Network Protocol | BO-S-P | Session Protocol | OSPF | Open Shortest Path First | TCP | Transmission Control Protocol |
| CMIP | Common Management Information Protocol | BO-T-P | Transport Protocol | PAP | Printer Access Protocol | TCP | Talkcommunications Network Protocol |
| CMOT | CMIP over TCP/IP | BO-DE | Development Environment | PING | Packet Internet Groper | TFTP | Trivial File Transfer Protocol |
| CONS | Connection Oriented Network Protocol | LPR | Remote Print | PMAP | Port Mapper | TOPS | Transcendental Operating System |
| DARP | Dynamic Address Resolution Protocol | LSP | NetWare Lite Sideband Protocol | RARP | Reverse Address Resolution Protocol | UDP | User Datagram Protocol |
| DHCP | Dynamic Host Configuration Protocol | MMS | Manufacturing Message Service | RCP | Remote Copy | VTP | Virtual Terminal Protocol |
| DNS | Domain Name System | Mount | Mount Server | REXEC | Remote Execution | WatchDog | Station Keep Alive |
| EGP | Exterior Gateway Protocol | NCP | Name Binding Protocol | RIP | Routing Information Protocol | X-Windows | Graphical Windows |
| FTAM | File Transfer Access and Management | NDS | NetWare Core Protocol | RLOGIN | Remote Login | X.400 MHS | Message Handling System |
| FTP | File Transfer Protocol | ND | Network Disk | ROSE | Remote Operations Service Element | X.500 DS | Directory Services |
| GGP | Gateway to Gateway Protocol | NDP | NetWare Directory Service | RPC | Remote Procedure Call | XDR | Exchange Data Representative Protocol |
| | | NetBEUI | NetBIOS Enhanced User Interface | RSH | Remote Shell | ZIP | Zone Information Protocol |
| | | NetBIOS | Network Basic Input/Output System | | | | |